

NAUTIZ X6

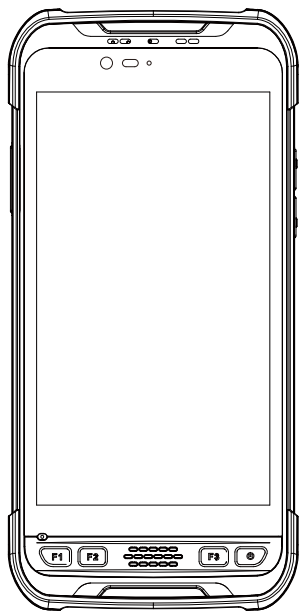
QUICK START GUIDE



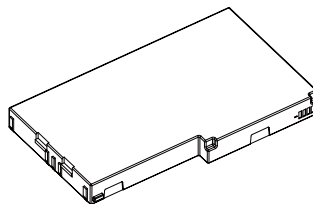
handheld

① WHAT'S IN THE BOX

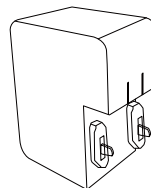
The pictures shown below may differ from the actual products.
To purchase additional or optional products, contact our customer center.



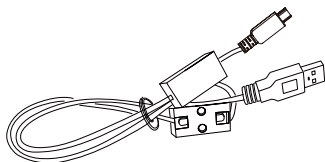
Nautiz X6 Main body



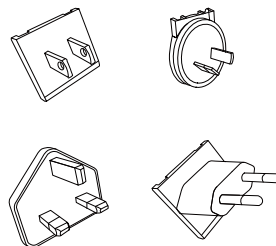
Standard battery



Charging adaptor



Type-C cable

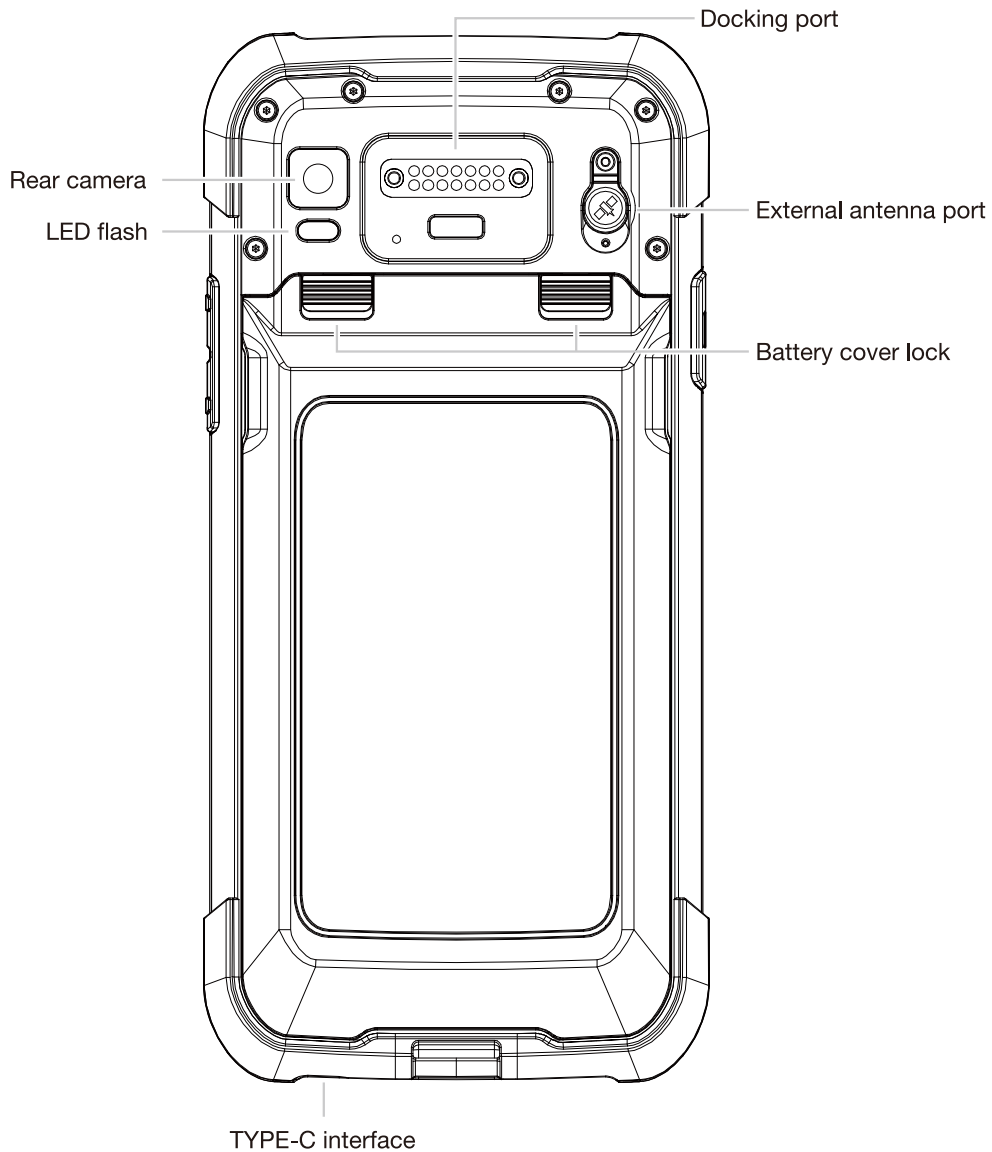


Converter plugs

② YOUR NAUTIZ X6

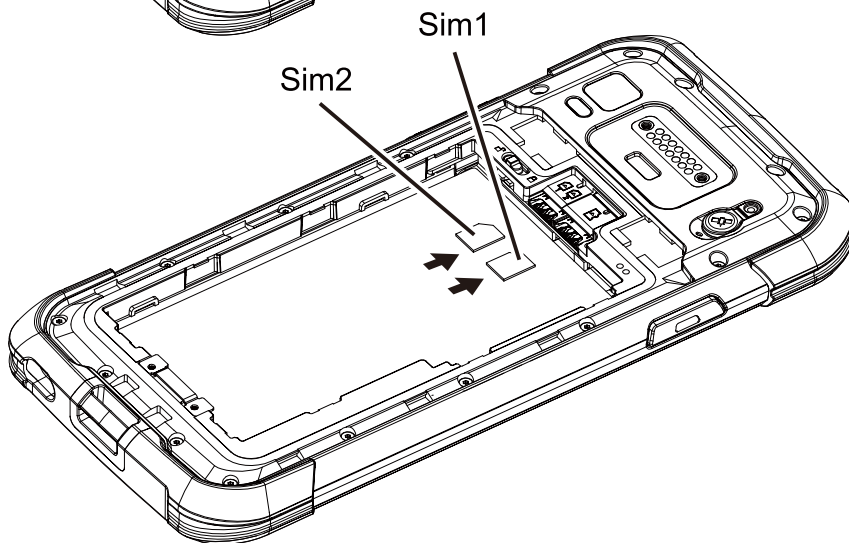
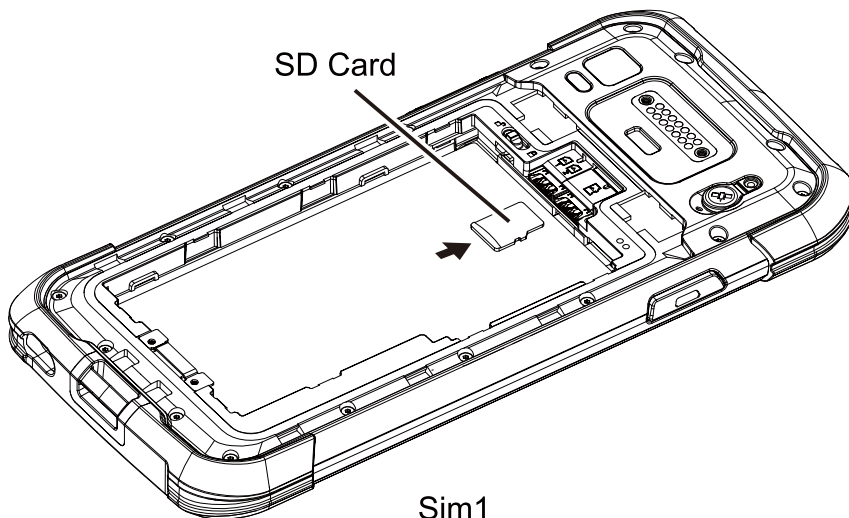


③ YOUR NAUTIZ X6



④ SIM/MICRO SD CARD

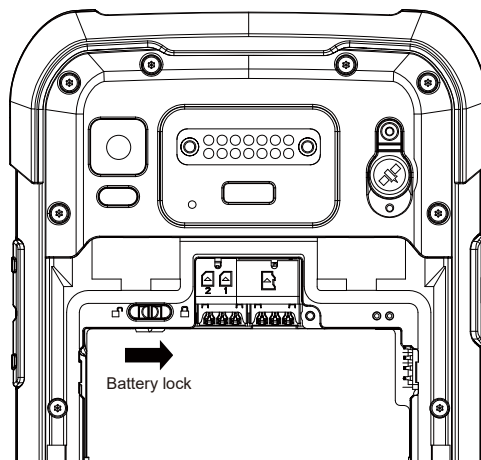
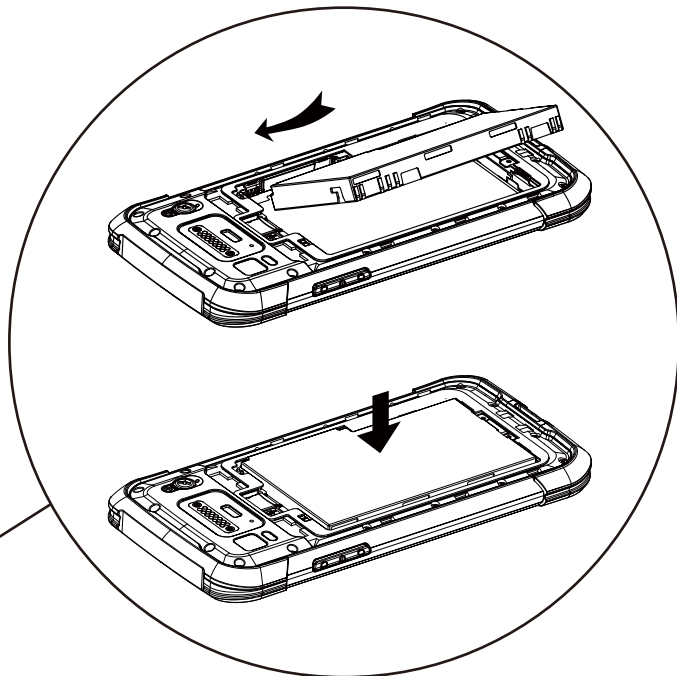
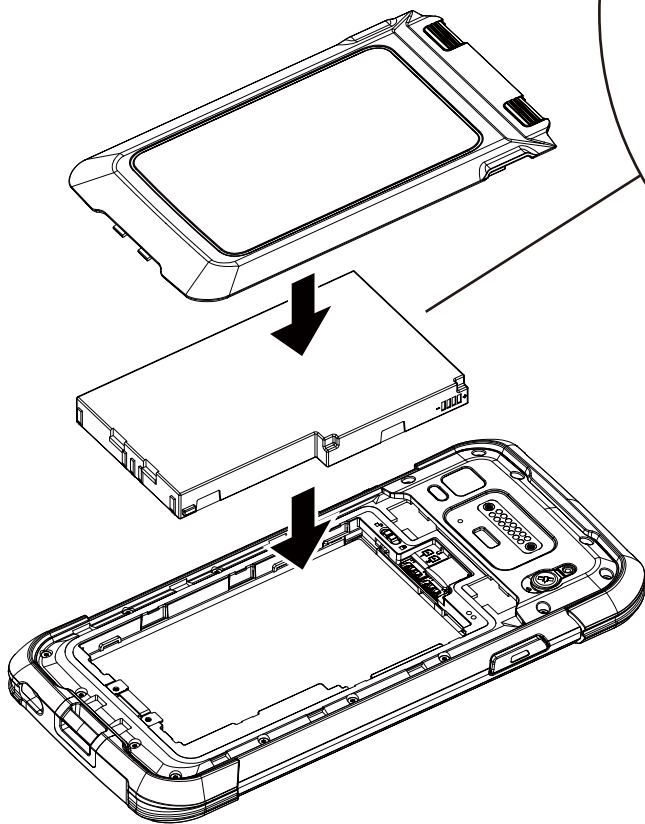
This is how you insert and remove the SIM/micro SD.



⑤ INSERT BATTERY

To insert the battery

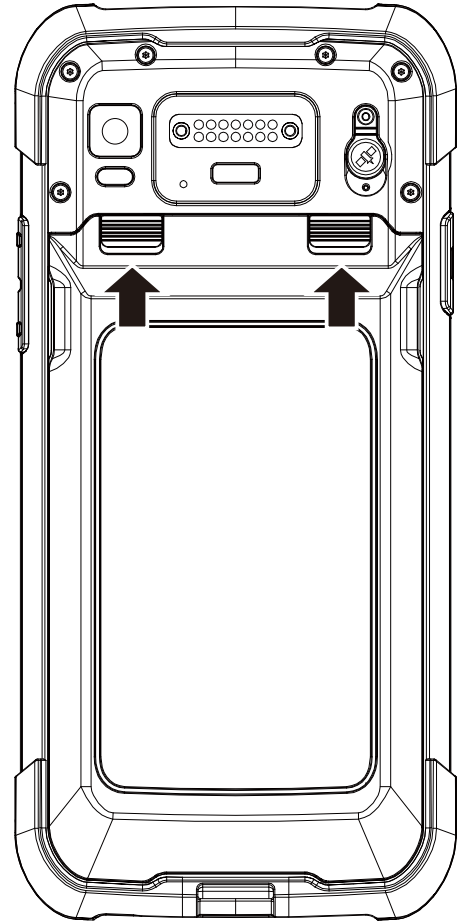
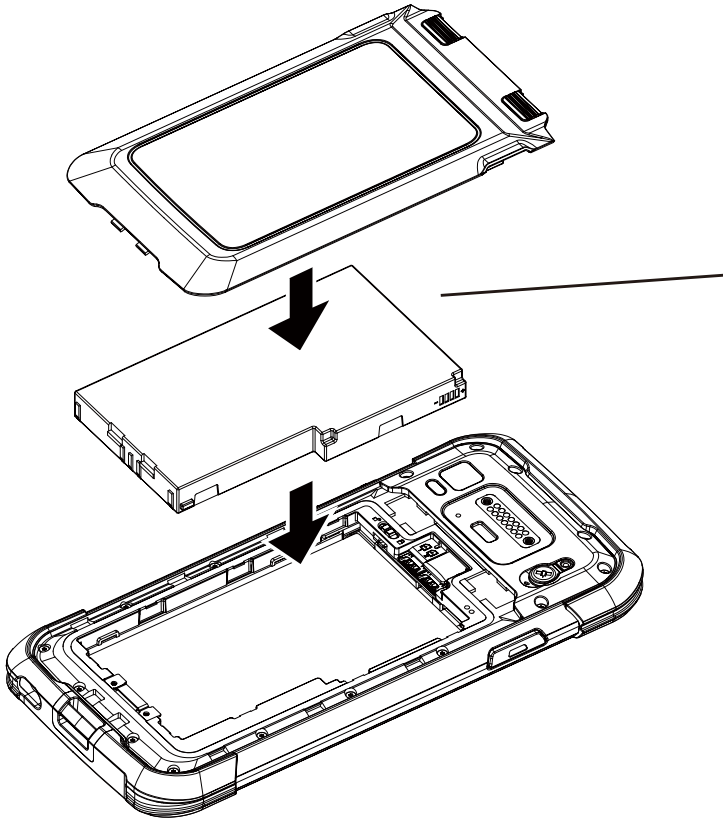
1. Insert the battery
2. Push the battery lock to the close position
3. Attach the battery cover



⑥ INSERT BATTERY

To insert the battery

4. Make sure all clips are properly attached. Use your thumbs to press down around the entire battery cover in order to ensure its properly closed.
5. Push the battery cover locks to closed position.

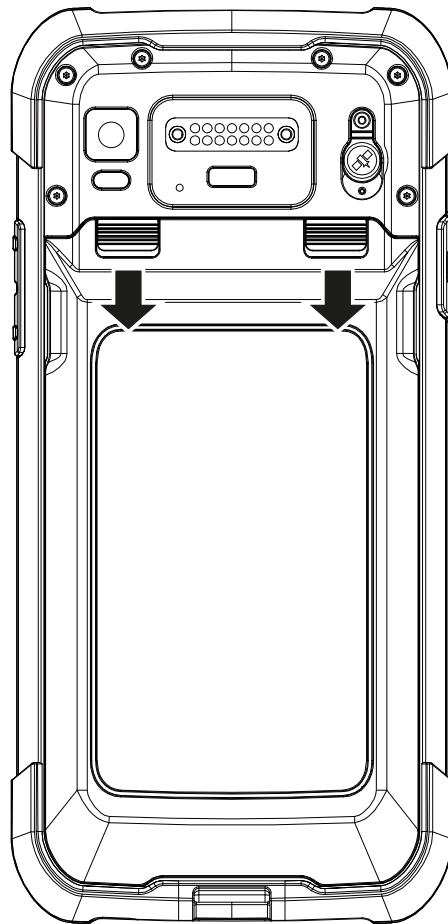
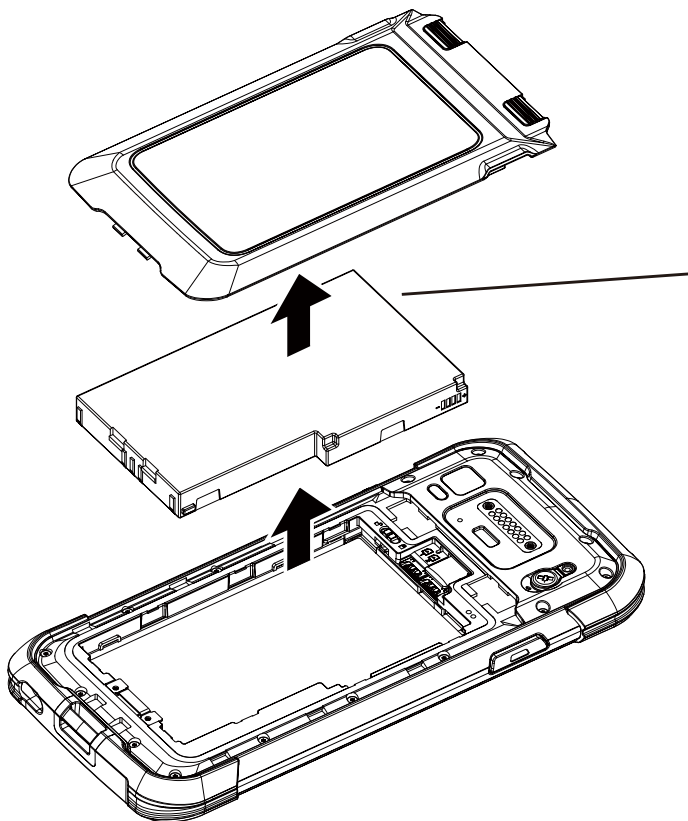


Make sure the battery cover is properly assembled according to above instructions.

⑦ REMOVE BATTERY

To remove the battery

1. Power off the device before removing the battery.
2. Push the battery cover locks to open position.

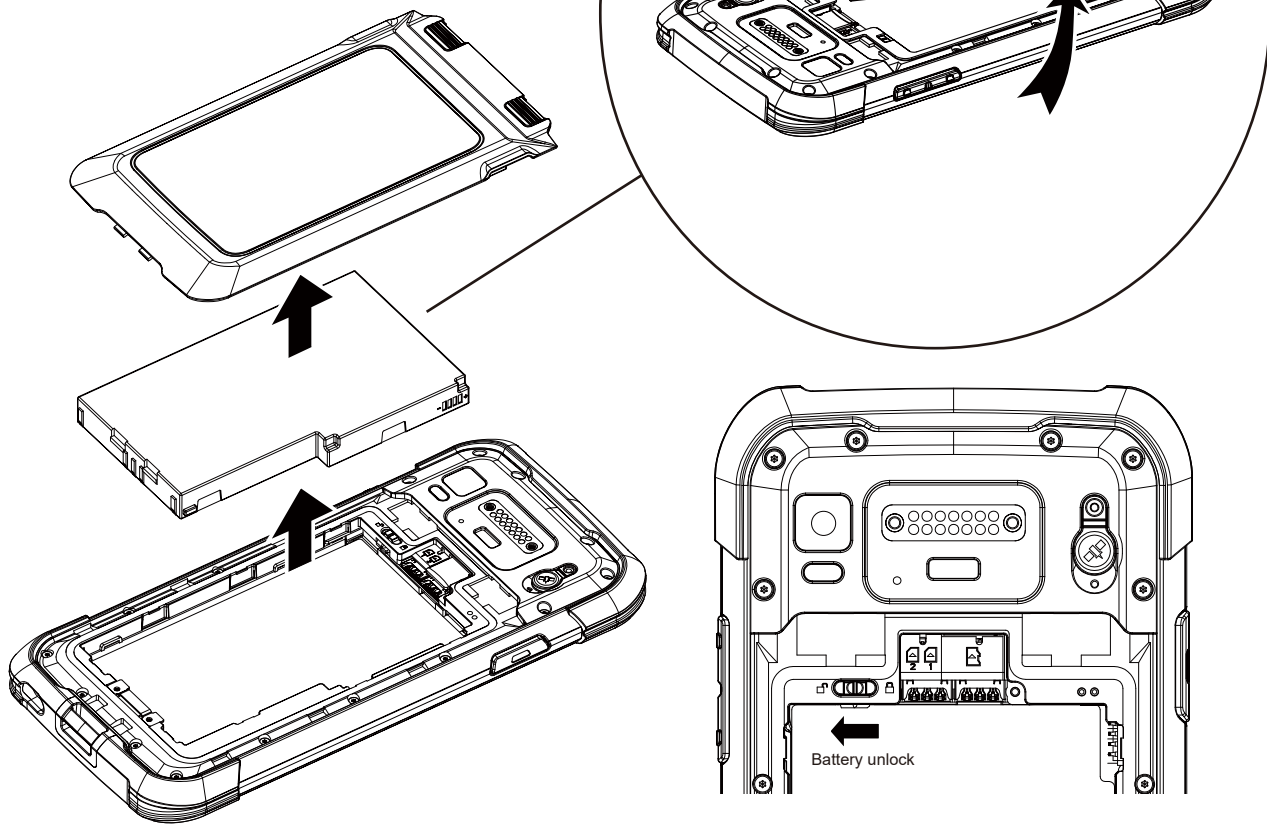


Open the battery cover using left side handle.

⑧ REMOVE BATTERY

To remove the battery

3. Detach the battery cover
4. Push the battery lock to the open position
5. Remove the battery



Please go to www.handheldgroup.com/knowledgebase to download more information.

Google, Android and Google Play are trademarks of Google LLC.

Version 1.1

handheld
www.handheldgroup.com